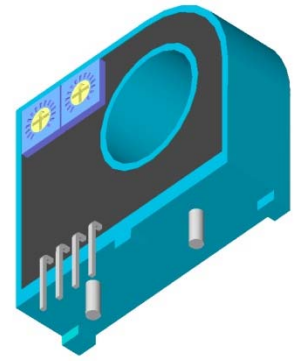


Topstek Hall Effect Current Transducer TD15A..TD35A-LTC2

TD 15A-35A-LTC2



Features

- ◆ Highly reliable Hall Effect device
- ◆ Compact and light weight
- ◆ Fast response time
- ◆ Excellent linearity of the output voltage over a wide input range
- ◆ Excellent frequency response (> 25 kHz)
- ◆ Low power consumption (12 mA nominal)
- ◆ Capable of measuring both DC and AC, both pulsed and mixed
- ◆ High isolation voltage between the measuring circuit and the current-carrying conductor (AC2.5KV)
- ◆ Extended operating temperature range
- ◆ Flame-Retardant plastic case and silicone encapsulate, using UL classified materials, ensures protection against environmental contaminants and vibration over a wide temperature and humidity range

Applications

- ◆ UPS systems
- ◆ Industrial robots
- ◆ Elevator controllers
- ◆ NC tooling machines
- ◆ Motor speed controller
- ◆ Process control devices
- ◆ Leakage current detection
- ◆ AC and DC servo systems
- ◆ General and special purpose inverters
- ◆ Other automatic control systems

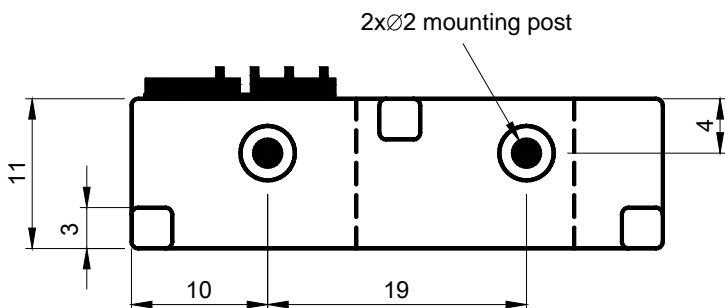
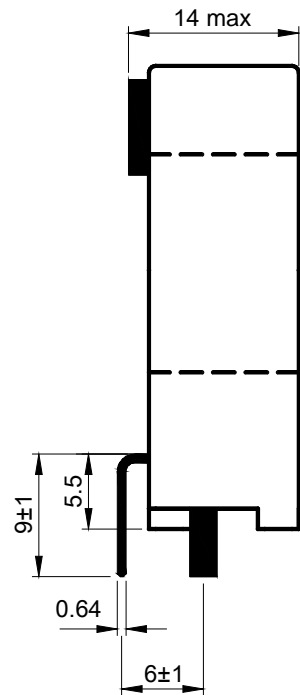
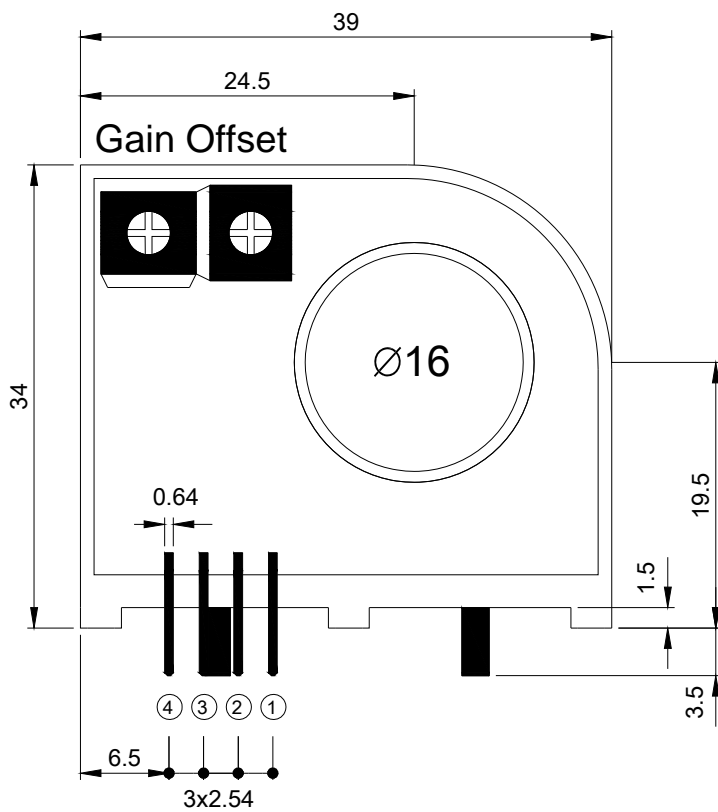
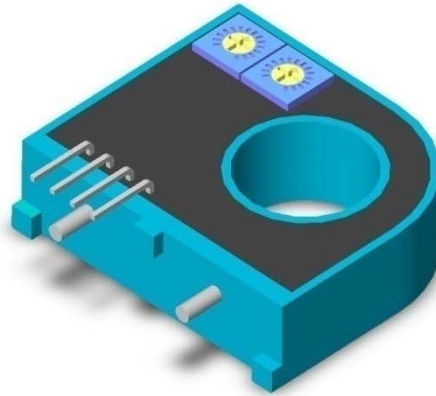
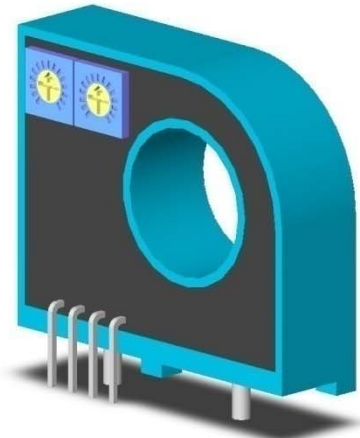
Specifications

Parameter	Symbol	Unit	15A	20A	25A	30A	35A
Nominal Input Current	I_{fn}	A DC	15	20	25	30	35
Linear Range	I_{fs}	A DC	±45	±60	±75	±90	±105
Nominal Output Voltage	V_{hn}	V	4 V±1% at $I_f=I_{fn}$ ($R_L=10k\Omega$)				
Offset Voltage	V_{os}	mV	Within ±50 mV @ $I_f=0$, $T_a=25^\circ\text{C}$				
Output Resistance	R_{OUT}	Ω	<100 Ω (50 Ω nominal)				
Hysteresis Error	V_{oh}	mV	Within ±40 mV @ $I_f=I_{fn}\rightarrow 0$				
Supply Voltage	V_{CC}/V_{EE}	V	±15V ±5%				
Linearity	ρ	%	Within ±1% of I_{fn}				
Consumption Current	I_{CC}	mA	±12 mA nominal, ±15 mA max				
Response Time (90% V_{hn})	T_r	μsec	8 μsec max. @ $dI_f/dt = I_{fn}/\mu\text{sec}$				
Frequency bandwidth (-3dB)	f_{BW}	Hz	DC to 25kHz				
Thermal Drift of Output	-	%/ $^\circ\text{C}$	Within ±0.05 %/ $^\circ\text{C}$ @ I_{fn}				
Thermal Drift of Zero Current Offset	-	mV/ $^\circ\text{C}$	Within ±0.5 mV/ $^\circ\text{C}$ @ I_{fn}				
Dielectric Strength	-	V	AC2.5KV X 60 sec				
Isolation Resistance @ 1000 VDC	R_{IS}	M Ω	>1000 M Ω				
Operating Temperature	T_a	$^\circ\text{C}$	-40 $^\circ\text{C}$ to 80 $^\circ\text{C}$				
Storage Temperature	T_s	$^\circ\text{C}$	-40 $^\circ\text{C}$ to 85 $^\circ\text{C}$				
Mass	W	g	28 g				

Topstek Hall Effect Current Transducer TD15A..TD35A-LTC2

Appearance, dimensions and pin identification

All dimensions in mm ± 0.5 , holes $-0, +0.2$ except otherwise noted.



Pin Assignment	
①	+15V
②	-15V
③	V _{OUT}
④	0V



Additional Information :

한국 대리점 : (주)디웰전자 (Diwell Electronics Co., Ltd.)

경기도 군포시 당정동 358 군포창업보육센터 202호

202, Kunpo Business Incubator Center, 358,

Dangjung-Dong, Gunpo-City, Gyeonggi-Do, South Korea

Phone : 070-8235-0820 (+82-70-8235-0820)

Fax : 031-429-0821 (+82-31-429-0821)

기술 및 구매 문의 email : expoeb2@diwell.com,

dsjeong@diwell.com